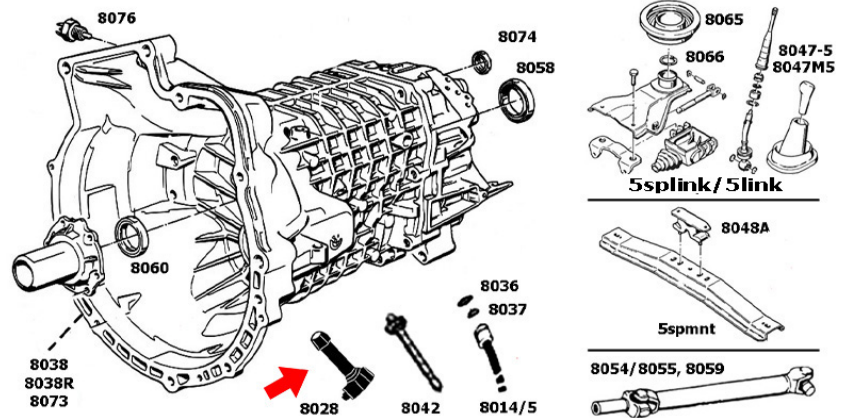
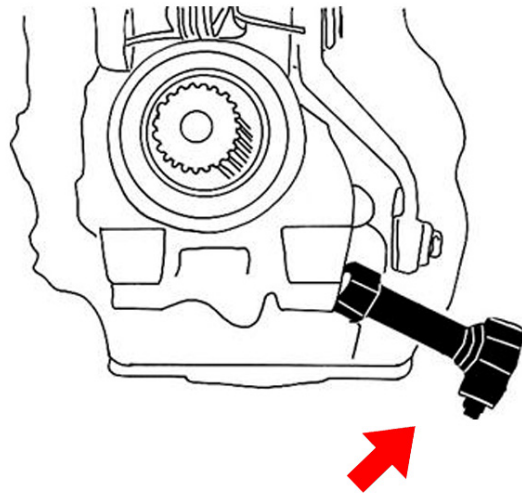
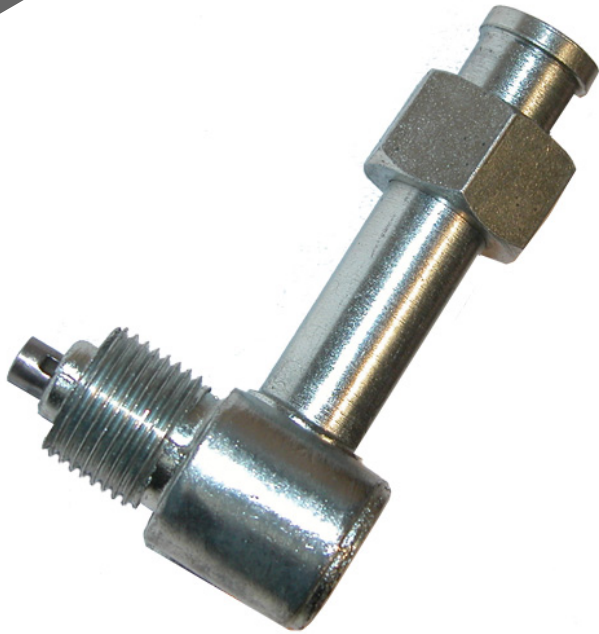




New Opel Parts

# OGTS Supporting the Opel Passion



90 Degree Angle Drive [ 1968 - 70 ]

Fits GT, Kadett B (also used with Getrag 5-speed)

Part #: 8028

Price: \$79.00



Was: \$117.60



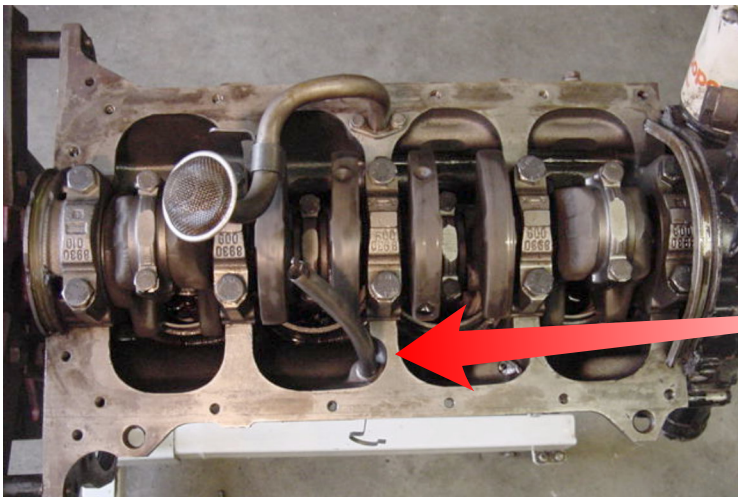
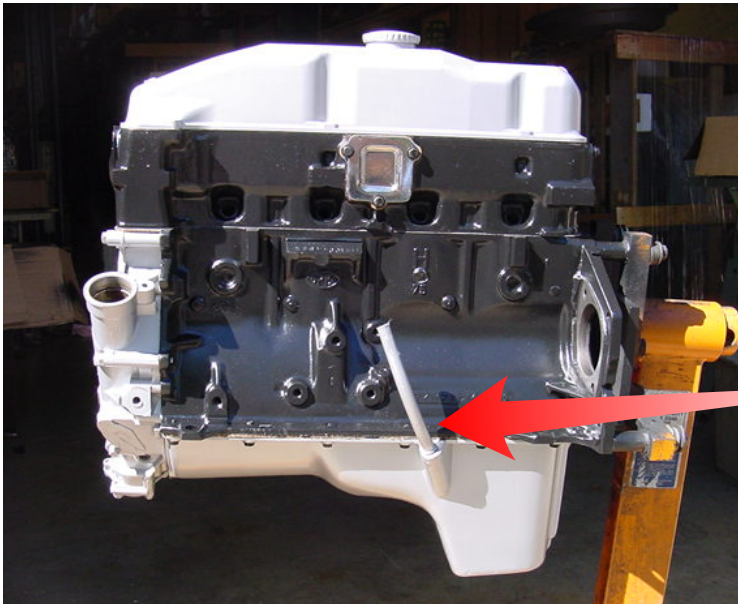
# OGTS Supporting the Opel Passion



Dip Stick Tube (fits all CIH engines except Kadett)

Part #: 6081

Price: \$\$14.50 ea.



# OGTS Supporting the Opel Manta



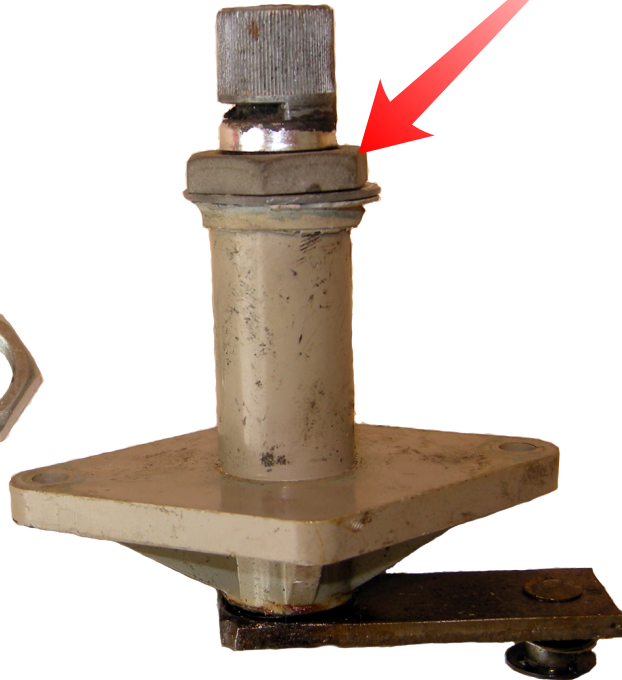
## MANTA Windscreen Wiper Spindle

Retaining Nut

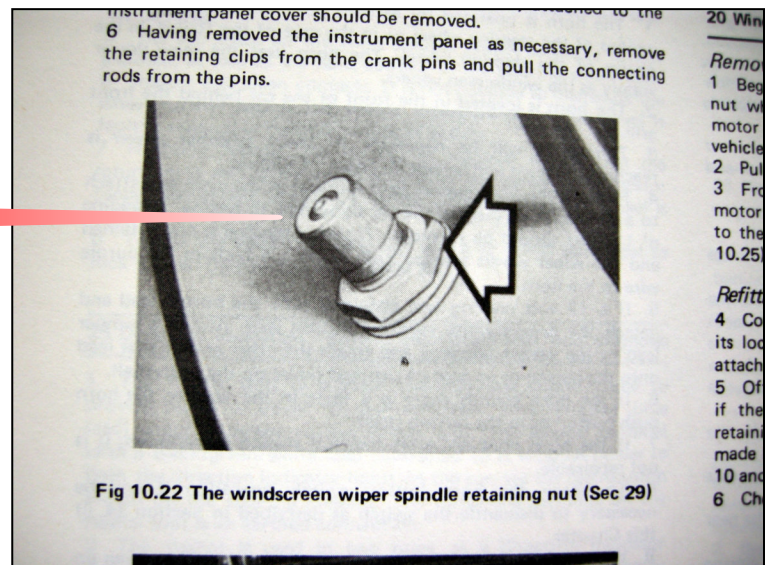
[ Original Brittle Plastic Securing Nut ]

Part #: 15110

Price: \$4.00 ea.



[ New Steel Securing Nut ]





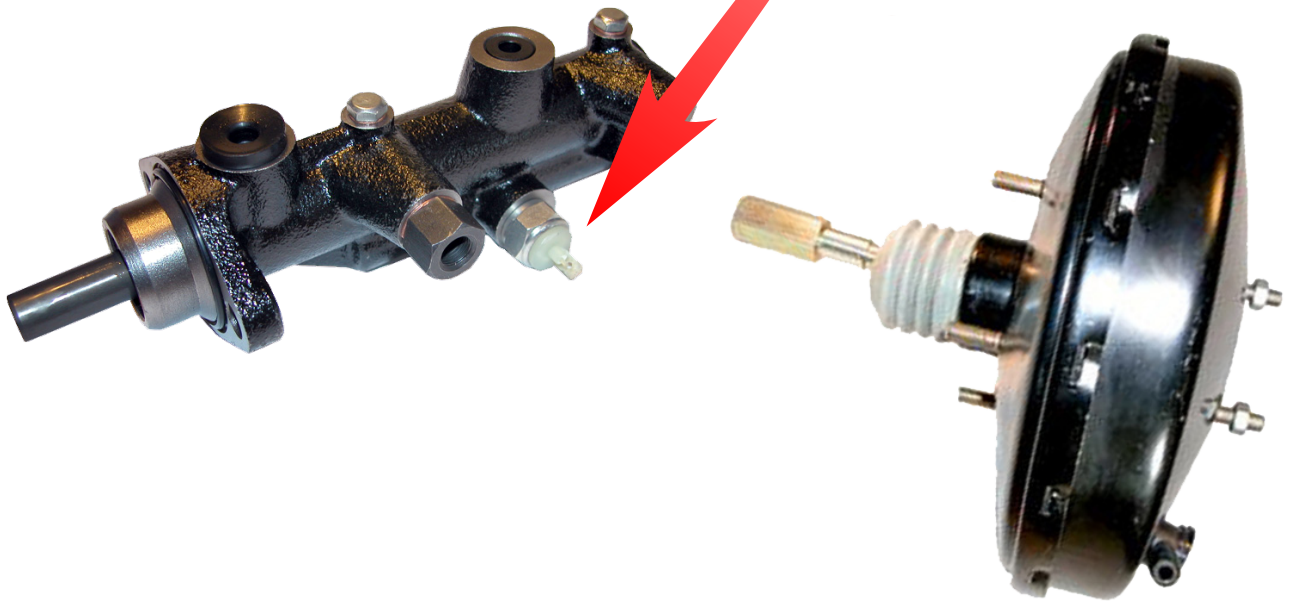
# OGTS Supporting the Opel Passion



9" Booster & New Original Style 20mm  
GT Master Cylinder kit with warning  
light connector.

Part #: combo2

Price: \$199.00 set



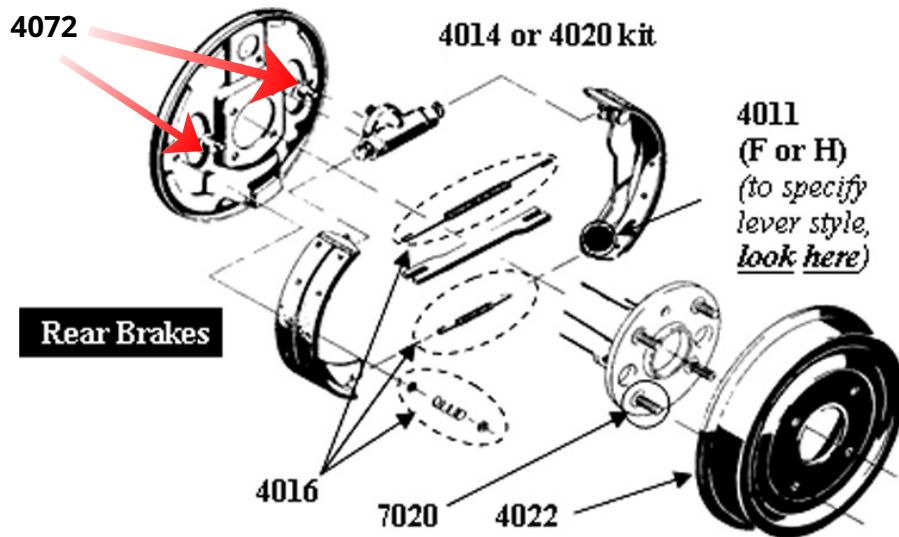
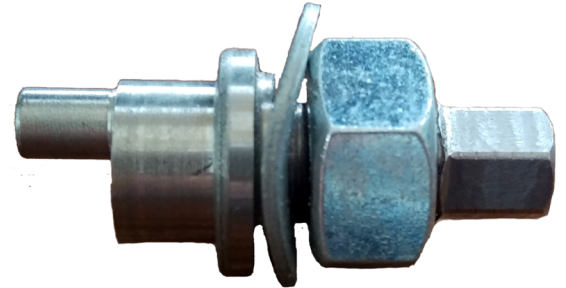
# OGTS Supporting the Opel Passion



## Rear Brake Adjusting Eccentric

Part #: 4072

Price: \$ 19.50 ea.



\* Please note: Each backing plate has 2 adjusting eccentrics. There is 4 total on a GT. Inspect yours to see if they are missing or still able to adjust the shoes! :)



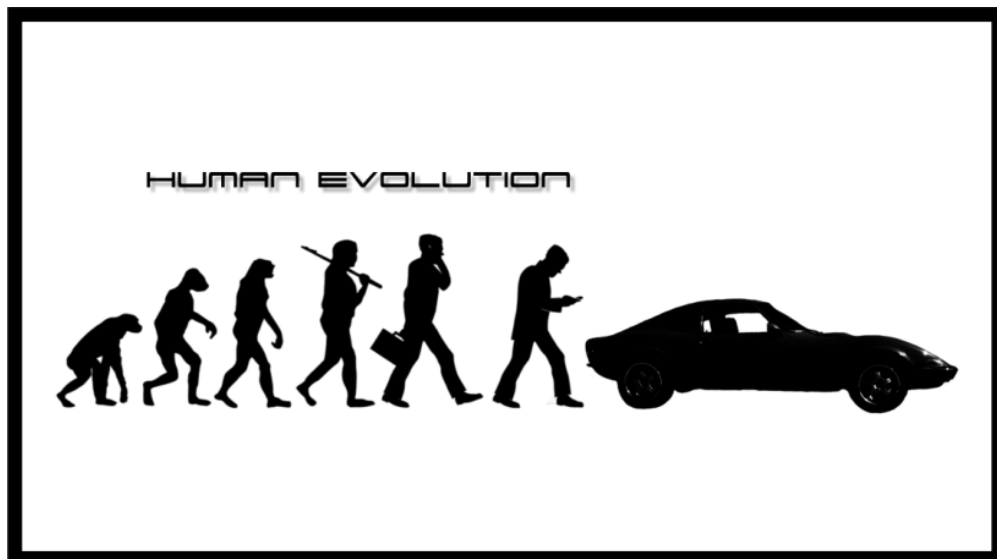
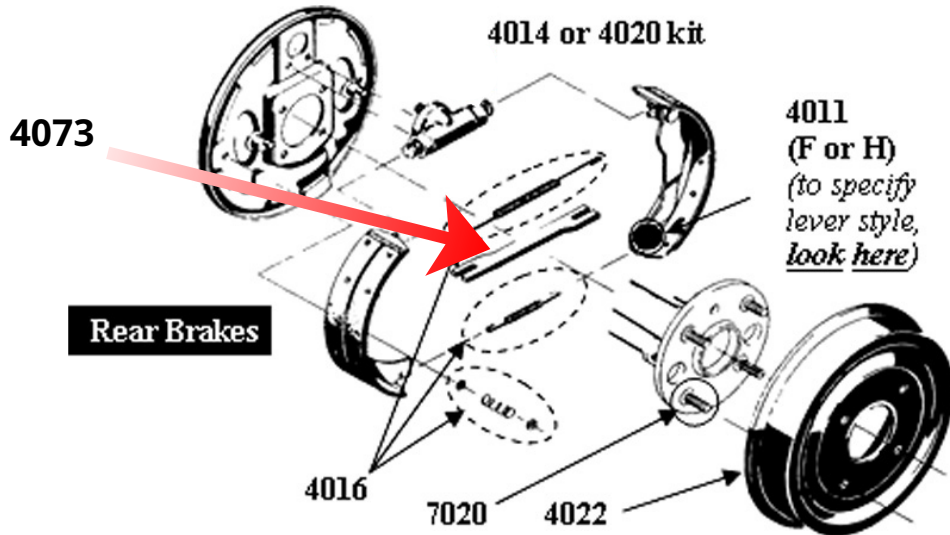
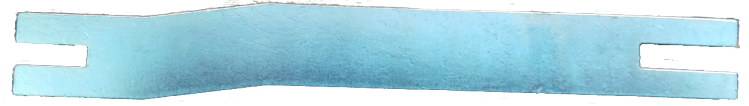
# OGTS Supporting the Opel Passion



## Rear Brake Spreader Bar

Part #: 4073

Price: \$12.00 ea.



# OGTS Supporting the Opel Passion

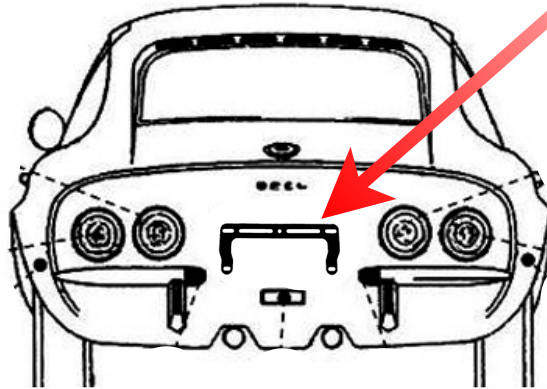
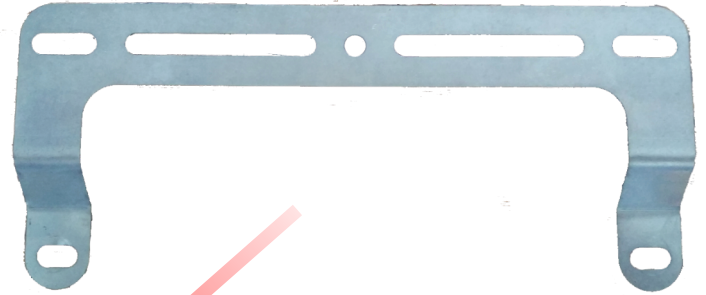
7

## Rear GT License Plate Bracket

(stainless steel)

Part #: 2073

Price: \$29.00 ea.



8

## Front Wheel Bearing Hardware Kit

Part #: 3071N

Price: \$9.95 ea.





# OGTS Supporting the Opel Passion

Dear Classic Opel Custodians,

OGTS has increased the frequency of bringing new parts to market the past five years. Because of your support, we are committed to doing this for the next five years.

For the past 34 years, we've maintained a longterm approach to the unique dedicated community of "Classic Opel Custodians".

Our classic Opel's have been on the roads for half-a-century (give or take a few years) and we are planning on new parts to maintain and upgrade them to keep them on the roads for the next 50 years!

This past year, we have had more people getting their Opel's back on the road, maintaining their Opel's, and upgrading their Opel's more than ever.

The feedback from everyone reports that they have had more fun *driving their Opel's* then they can remember in the past 20 years.

The increase in "behind-the-wheel" time also increased the response from all of those who see the classic Opel's on the road!

Who doesn't love seeing these incredible little unique cars from automotive history.